

Figure 6: Silcon (4-Wire) UPS Connections to SBP

Connecting an APC UPS to a Service Bypass Panel (SBP)

NOTE: Use **ONLY** when connecting a Symmetra PX UPS (4-wire) or a Silcon UPS (3-wire or 4-wire) to a Service Bypass Panel (SBP). If these components are **NOT** included in your system design, these instructions **DO NOT** apply. All Figure references below are dependent on the type of UPS being used. Refer to the UPS Installation Guide for Current Ratings/cablings. Cables and hardware are not supplied. See Torque Values in Table 1.



- Only **QUALIFIED** electricians should perform the procedures outlined in this document!
- Prior to making electrical connections, switch **OFF** all incoming power to the UPS and SBP!
- Hazardous voltages might still be present inside the SBP even after power has been turned **OFF**. Take note of the fact that the unit may be getting fed from multiple power sources!

1. Mount the Service Bypass Panel (SBP) on a wall close to the APC UPS.
2. Connect cables from the upstream utility to the main input terminals on the SBP (see Figure 1).
3. Connect cables from the UPS AC input (Figures 2 thru 6) to the Q1 input terminals on the SBP (Figure 1).
4. Connect cables from the UPS AC output (Figures 2 thru 6) to the Q2 output terminals on the SBP (Figure 1).
5. Connect cables from SBP mains output terminals (Figure 1) to load equipment/distribution.
6. Make all control wire connections between the UPS and the SBP according to the instructions in Figure 3, 5 or 6.

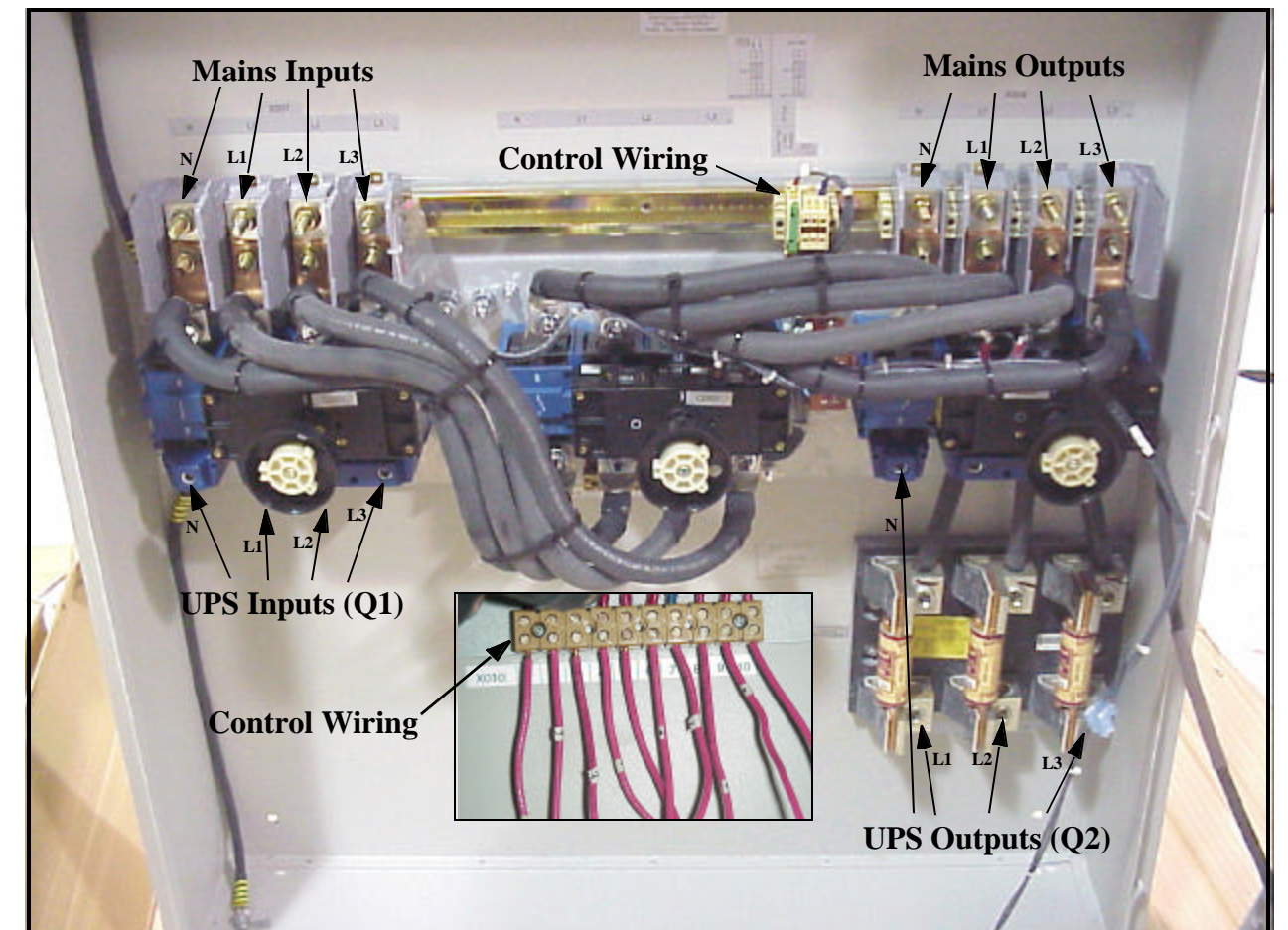


Figure 1: SBP (internal)

Fastener	Torque	Fastener	Torque	Fastener	Torque
#10-32 UNC	5 ft-lbs	5/16-18 UNC	15 ft-lbs	1/2-13 UNC	50 ft-lbs
1/4-20 UNC	10 ft-lbs	3/8-16 UNC	20 ft-lbs	5/8-1 UNC	95 ft-lbs

Table 1: Torque Values

APC Corporate Headquarters (U.S. and Canada)	877-537-0607 (toll-free)
Europe, Middle East, Africa	(353) (91) 702020 (Ireland)
Latin America	(1) (401) 789-5735 (United States)
Japan	(03) 5434-2021 Guidance 3

Table 2: APC Worldwide Customer Support



American Power Conversion • 132 Fairgrounds Road • West Kingston, RI 02892 • (401) 789-5735



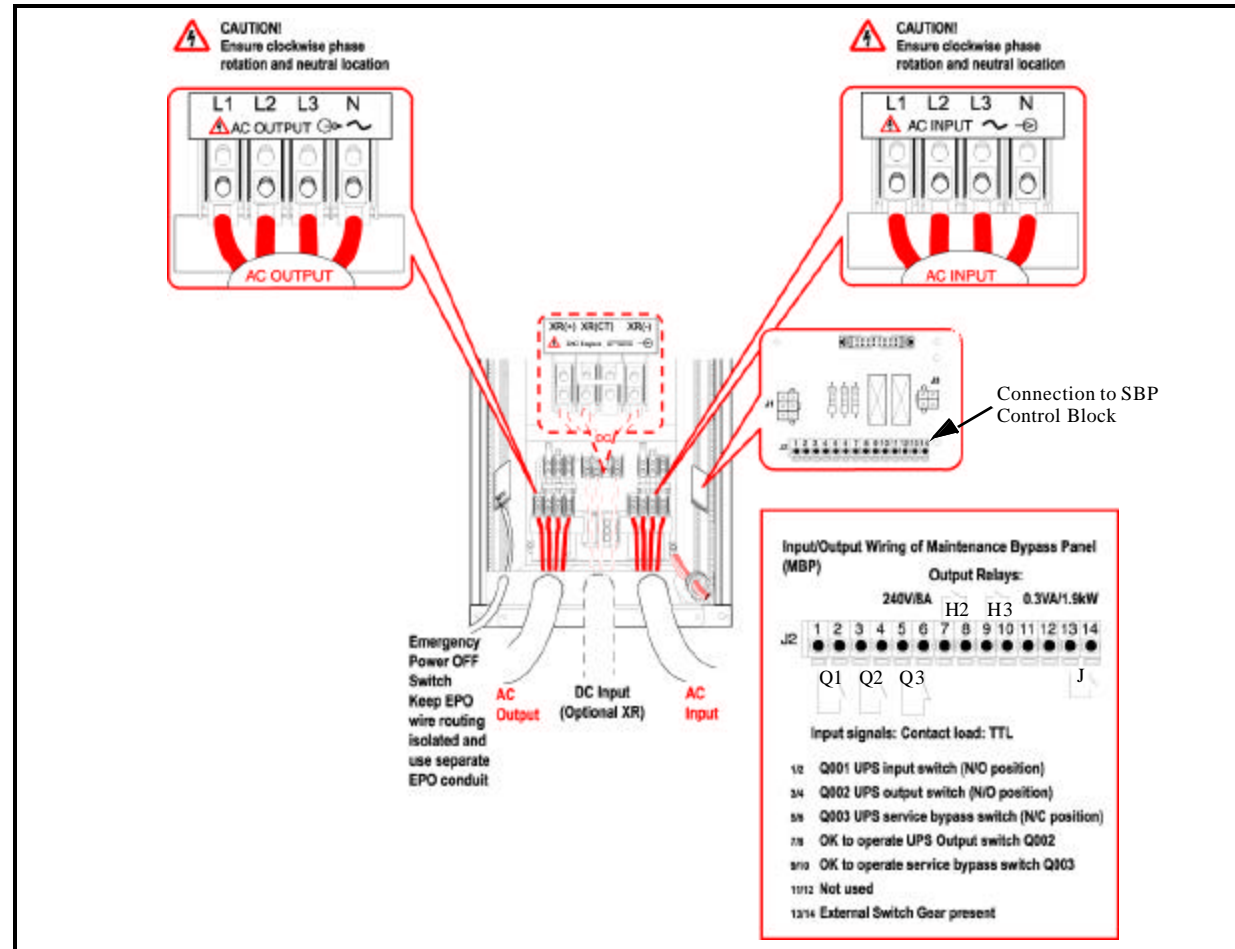


Figure 2: Symmetra PX 4-Wire UPS Connections

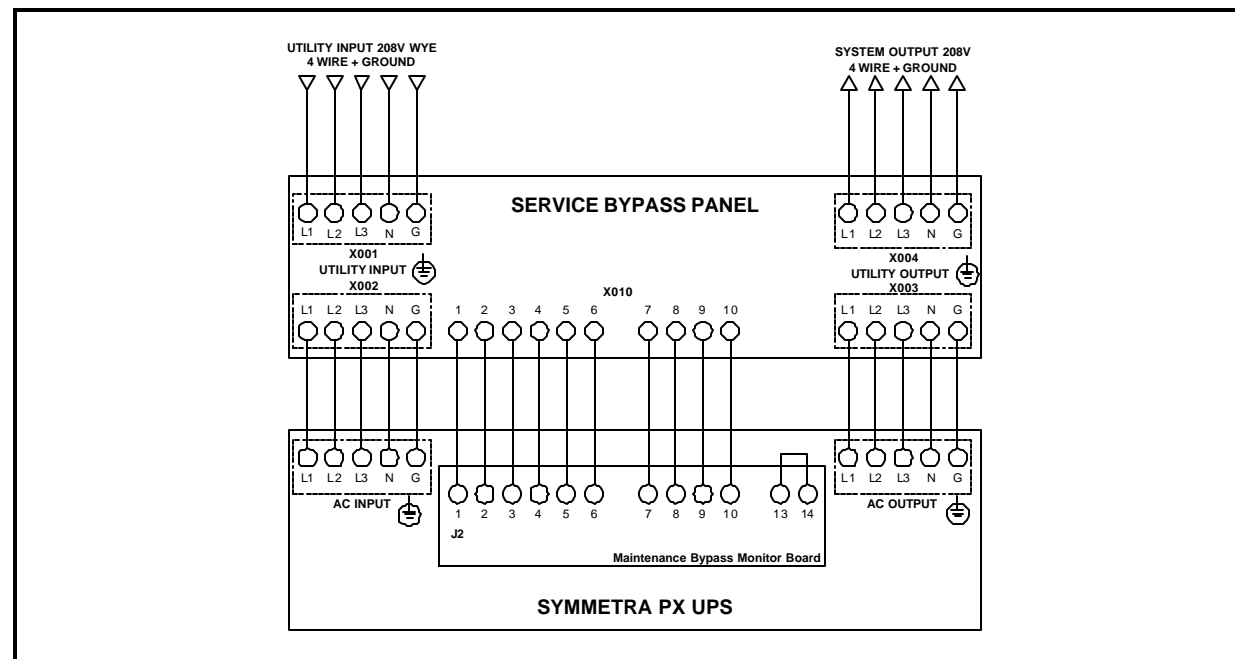


Figure 3: Symmetra PX 4-Wire UPS Connections to SBP

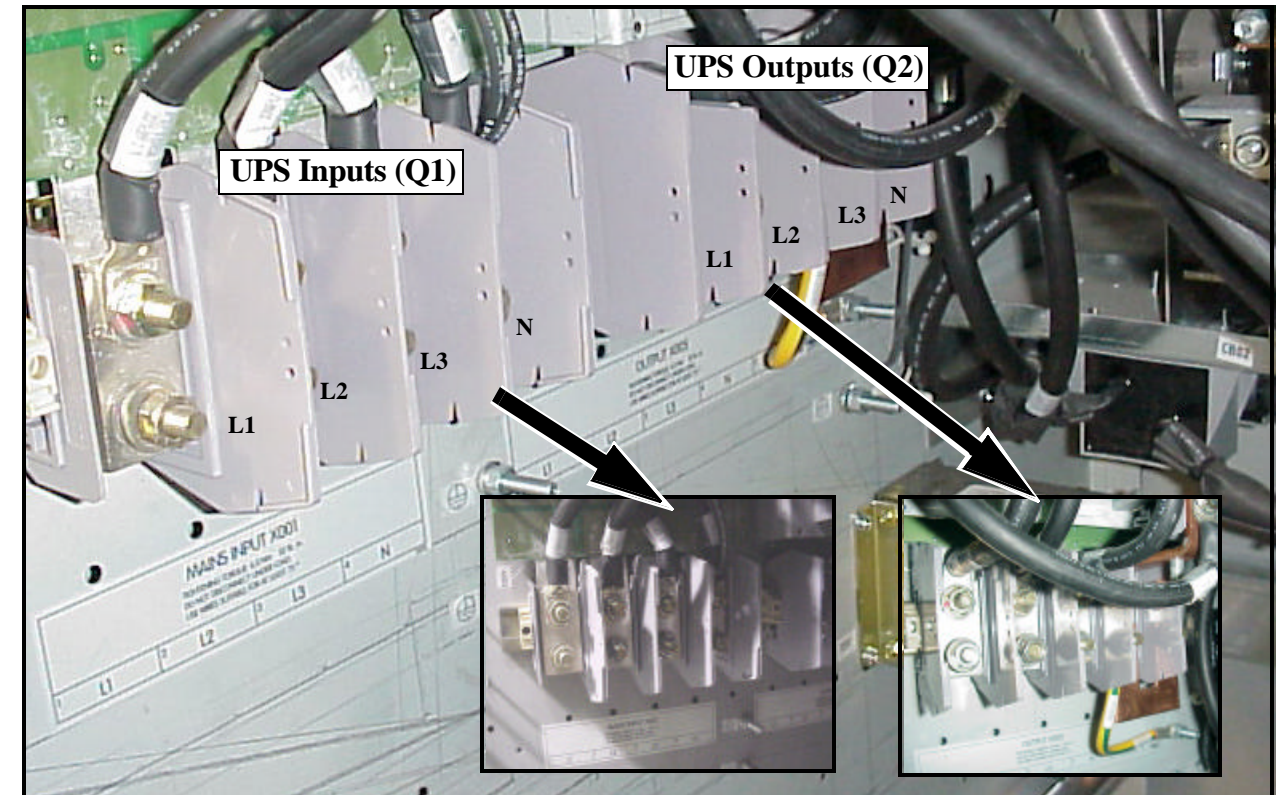


Figure 4: Silcon (3- and 4-Wire) UPS Connections

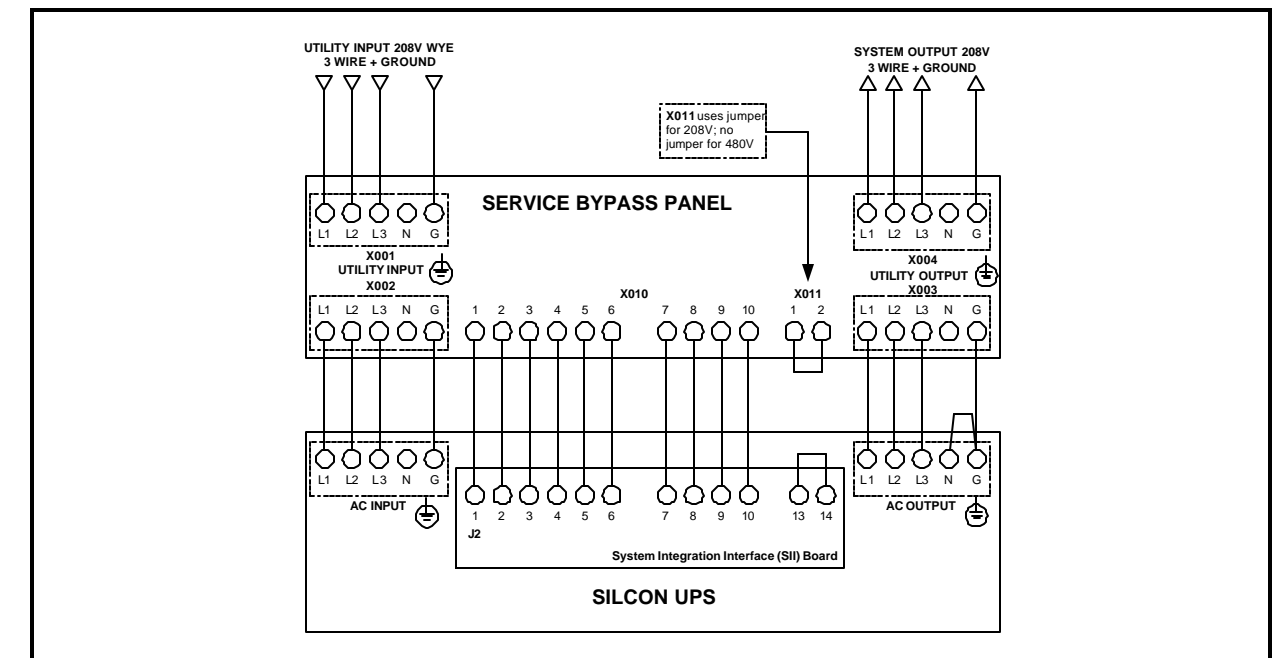
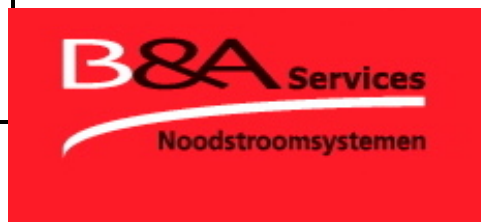


Figure 5: Silcon (3-Wire) UPS Connections to SBP





B&A Services bv

Vleugelboot 30 - 3991 CL Houten

Telefoon (030) 657 94 86 - fax (030) 657 94 81

info@baservices.nl - www.baservices.nl

B&A Services
Noodstroomsystemen